

SES RISE AND FALL PLATFORM

Description

A meat processing line operator's platform to access carcasses for process operations, pneumatically operated.

Benefits

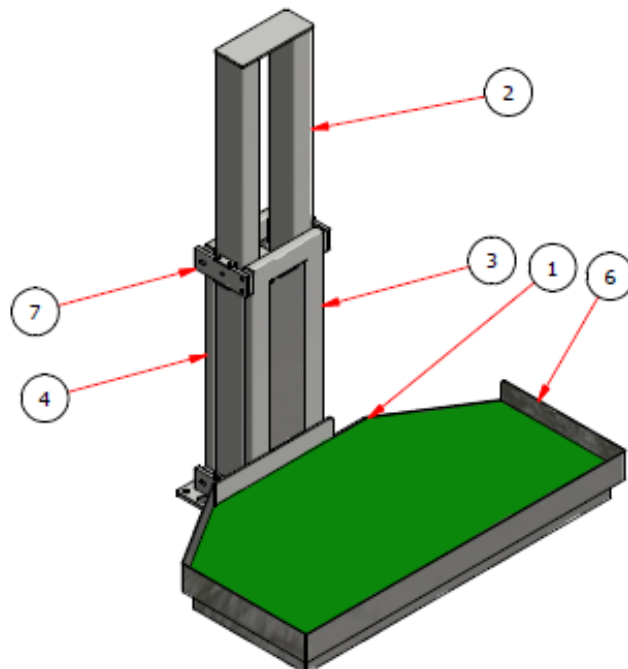
Eliminates climbing onto fixed access platforms, non-skid grating with drain tray, fully washable, floor mounted.

Operation

The unit is pneumatically operated by a set of foot controls to raise and lower the work area as required.

Scope of supply

The SES rise and fall platform is manufactured from 304 grade stainless steel, with food grade thermoplastic components, and is fully wash down designed. The design allows for floor mounting via a heavy foot plate masonry bolted to a concrete floor. It requires a pneumatic supply, and the platform can have sterilizers and hand washes fitted, as well as saw or hand tool attachment, rails etc.



Southern Engineering Solutions Ltd

Physical: 29 Lunns Road, Middleton, Christchurch, New Zealand
Phone: +64 3 348 9744
Fax: +64 3 341 8090

Post: PO Box 11-023, Sockburn, Christchurch 8443, New Zealand
Email: info@sesltd.co.nz
Website: www.sesltd.co.nz